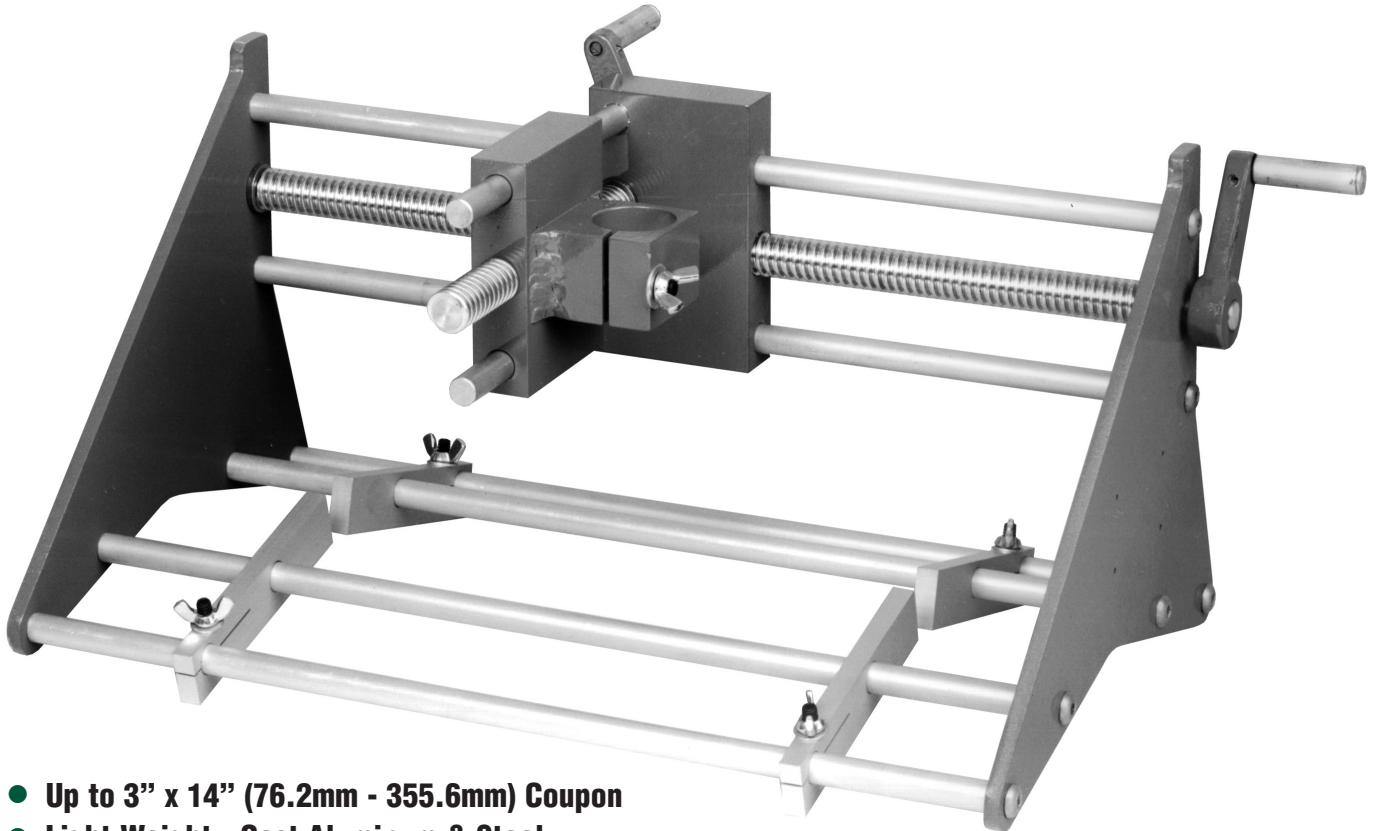


COUPON CUTTER

For Accurate Weld-Quality Testing



- Up to 3" x 14" (76.2mm - 355.6mm) Coupon
- Light Weight - Cast Aluminum & Steel Alloy Construction
- Speed - 6 turns per inch travel
- Centers Up On Pipe
- Left Or Right Hand Operation
- Easy To Operate
- Uses Conventional Machine-Type Torch

Specifications

Model Number	Weight	
	lb	kg
Standard 270D	12	5.4

*Sawyer products are sold exclusively through distributors in the U.S. and abroad.
Please contact us for the name of your nearest distributor.*



SAWYER MFG. COMPANY

1031 N. Columbia Place • Tulsa, Oklahoma 74110 U.S.A.

Phone: (918) 834-2550 • Fax: (918) 834-0318

E-Mail: info@sawyermfg.com

Web Site: www.sawyermfg.com

SETTING THE STANDARD FOR PIPELINE AND WELDING EQUIPMENT SINCE 1948

©2007 Sawyer Manufacturing Company, Rev. 8/07, Printed in U.S.A.