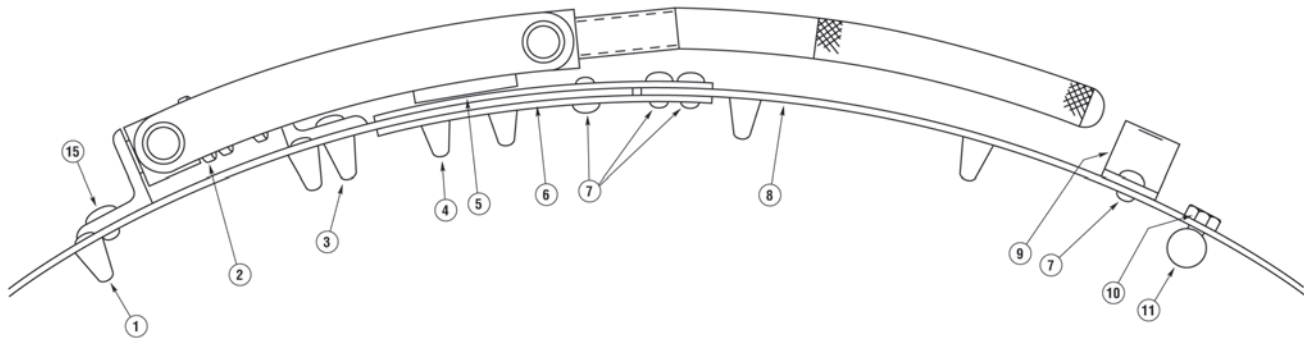


BEVELING BAND PARTS LIST

12" - 48" Beveling Bands



No.	Amount	Dwg./Part No.	Description/Name	No.	Amount	Dwg./Part No.	Description/Name
1	Various	35AH-1	Locating Pin	9	2	33K-1	Handle
2	1	2CP	Latch Assy	10	Various	519-1	Bolt
3	1	35BM	Latch Mt. Locating Pin	11	Various	97B-1	Alignment Bar
4	2	35BN	Anchor Mt. Locating Pin	12	1	98A	Tongue (Not Shown)
5	1	See Note 2	Anchor	13	1	55U	Name Plate (Not Shown)
6	2	85D	Adjusting Plate	14	2	515-27	Drive Screw
7	9	523-6	Rivet	15	1	523-12	Rivet
8	1	99A	Band		1	2CP	Complete Latch Assy

Band Size

No.	Part No.	6"	8"	10"	12"	14"	16"	18"	20"	22"	24"	26"	28"	30"	32"	34"	36"	38"	40"	42"	44"	48"
1	35AH-1	16	20	24	28	30	34	38	42	46	44	48	52	54	58	62	64	68	72	74	78	84
10	519-1	0	0	0	0	0	0	0	0	0	8	8	8	10	10	10	12	12	12	14	14	16
11	97B-1	0	0	0	0	0	0	0	0	0	4	4	4	5	5	5	6	6	6	7	7	8

Note:

- 1) All bands 48" and over will have a reinforcing strip riveted to the O.D.
- 2) 12"-24" bands use part number 34G-1B and 26" and larger bands use part number 34G-1



SAWYER MFG COMPANY

1031 N. Columbia Place • Tulsa, Oklahoma 74110 U.S.A.

Phone: (918) 834-2550 • Fax: (918) 834-0318

E-Mail: info@sawyerfmfg.com

Web Site: www.sawyerfmfg.com

**Sawyer products are sold exclusively through distributors in the U.S. and abroad.
Please contact us for the name of your nearest distributor.**